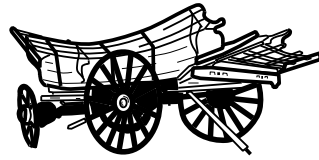


# Weighing Machines

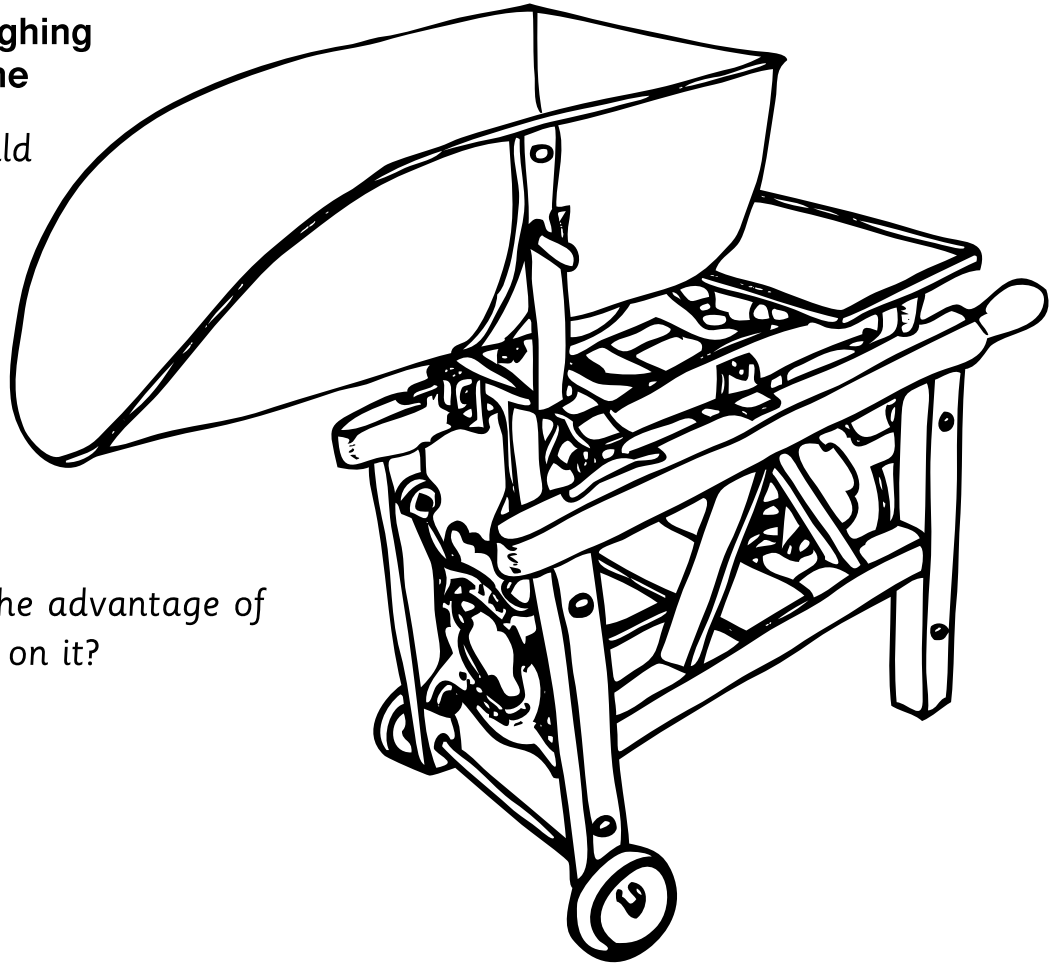
Location: Tilford Building (far end)



**Rural  
Life  
Centre**

## Scoop weighing machine

1) What could be weighed in this scoop?



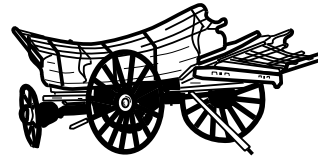
2) What is the advantage of having wheels on it?

3) How could this machine be moved to another place?

4) Would it be easy or difficult to move it to a position near the Shepherd's Hut (outside and opposite this building)? Explain why it would be easy/difficult.

# Weighing Machines

Location: Tilford Building (far end)

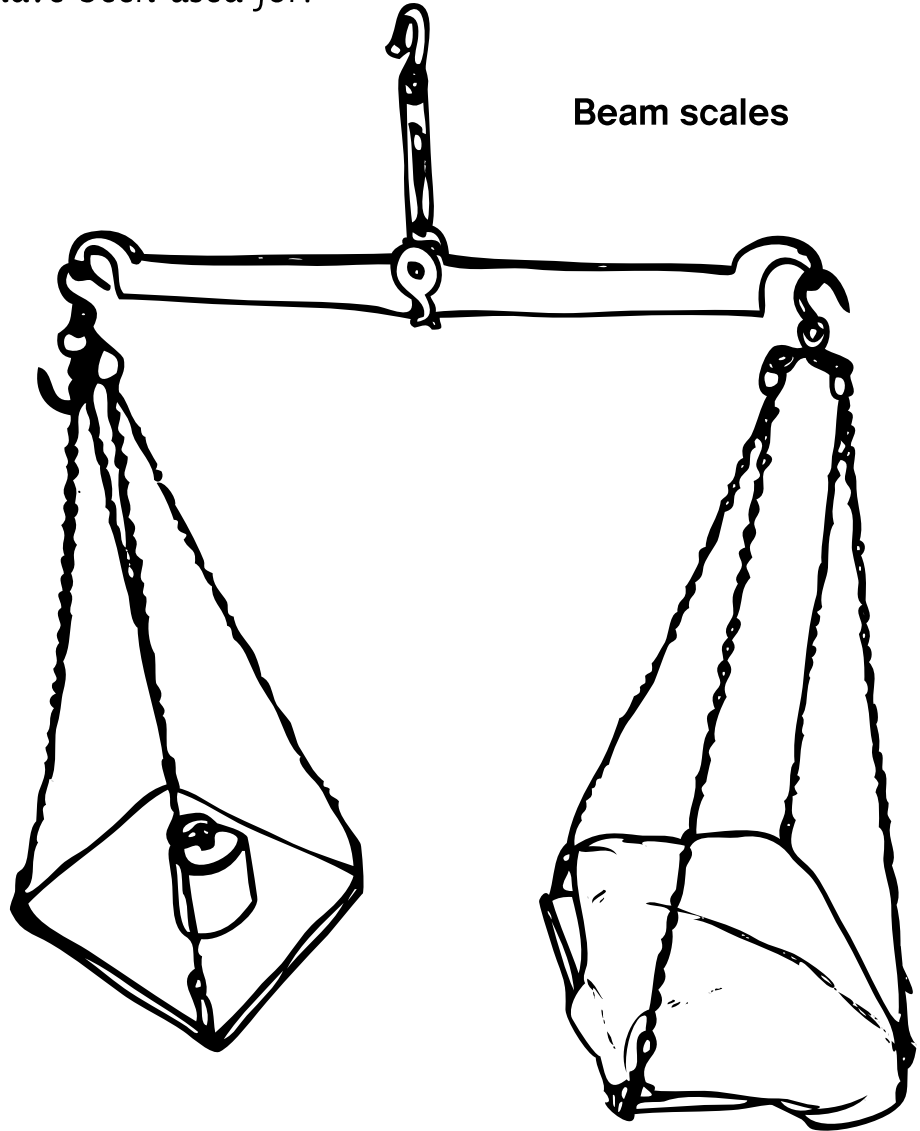


**Rural  
Life  
Centre**

1) What would this have been used for?

Beam scales

2) How would it have weighed anything?



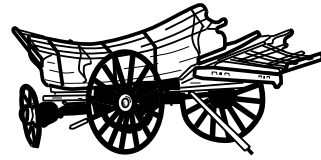
3) This machine is in three parts. How would it have been dismantled?

4) Why would it have been necessary to dismantle it?

5) Which individual parts of this machine move?

# Weighing Machines

Location: Tilford Building (far end)



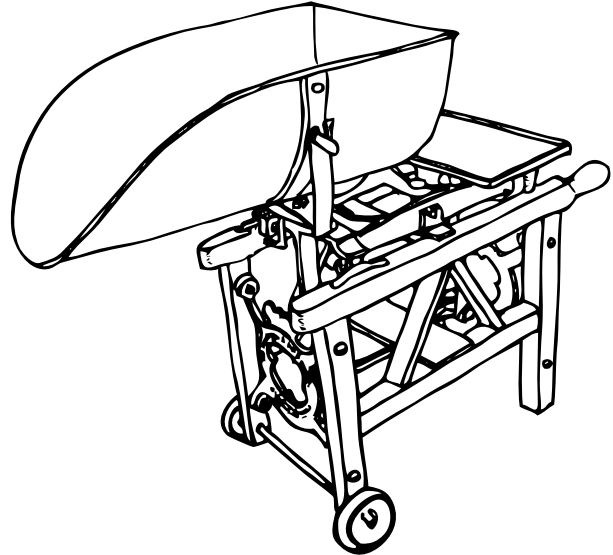
**Rural  
Life  
Centre**

## Teachers' Notes

### a – Scoop weighing machine

This is a balance scale, circa 1920. It has a movable, twist/turning scoop pan. It was used for any sort of farm produce, but would have been very useful for pushing alongside a potato clamp to weigh the potatoes and bag them up on site.

Its tiny wheels, straight legs and short handles, plus its weight, would have made it very difficult to move, especially on uneven ground (reference – question 4 on the sheet).



### b – Beam scale

This is a Victorian wool scale. The wool was placed on one side, the weights on the other. It is very heavy but it is 'mobile' and could be hung up in a shearing shed, from a strong beam. It could be taken from farm to farm at shearing time.

